

30" Dual Fuel Range Top Parts List

<u>Ref #</u>	<u>Part #</u>	<u>Description</u>
1	802431	Grate, Burner W/Rubber Pad
2	805233	Filler Grate Assembly, DF30
3	804514	Burner Cap Assy, Lg
4	804512	Burner Cap Assy, Sml
5	804877	Burner Head, Sml
6	804875	Burner Head, Lg
7	802146	Venturi, Lg
8	800488	Venturi, Small
9	805299	Igniter, 9.2K
	802449	Igniter, 15K
10	802399	Inner Distribution Ring, Lg
11	804358	Inner Distribution Ring, Sml
12	720824	Spring
13	802499	Clip, Electrode
14	804874	O-Ring Seal Kit - 1Lg Burner
15	804876	O-Ring Seal Kit - Sml Burner
16	801274	Lead Wire, 30"
17	804331	Burner Pan, DF30
18	802398	Outer Distribution Ring, Lg
	802276	Outer Distribution Ring, Lg Lp
19	804122	Orifice, Main, Nat, Lg
	804123	Orifice, Main, Lp, Lg
20	802404	Jet Holder, Lg-Natural
	802405	Jet Holder, Lg-Lp
21	800470	Outer Distribution Ring, Sml
	802679	Outer Dist. Ring, Small, Lp
22	801325	Orifice, Main, Nat, Sml
	801319	Orifice, Main, Lp, Sml
23	800486	Jet Holder, Sml
	802677	Jet Holder, Small, Lp
24	804138	Deflector Shield, Burner
25	801232	Spark Module 0+1
26	804633	Regulator Box Top
27	802032	Burner Support
28	804373	S-Grate Package, Df
	805701	S-Grate Filler, DF30

Not Shown

802325	Wire Harness, Main
804124	Orifice, Simmer, Nat, Lg
804125	Orifice, Simmer, Lp, Lg
802947	Orifice, Simmer, Nat, Sml
802948	Orifice, Simmer, Lp, Sml
804372	Wok Grate w/Feet

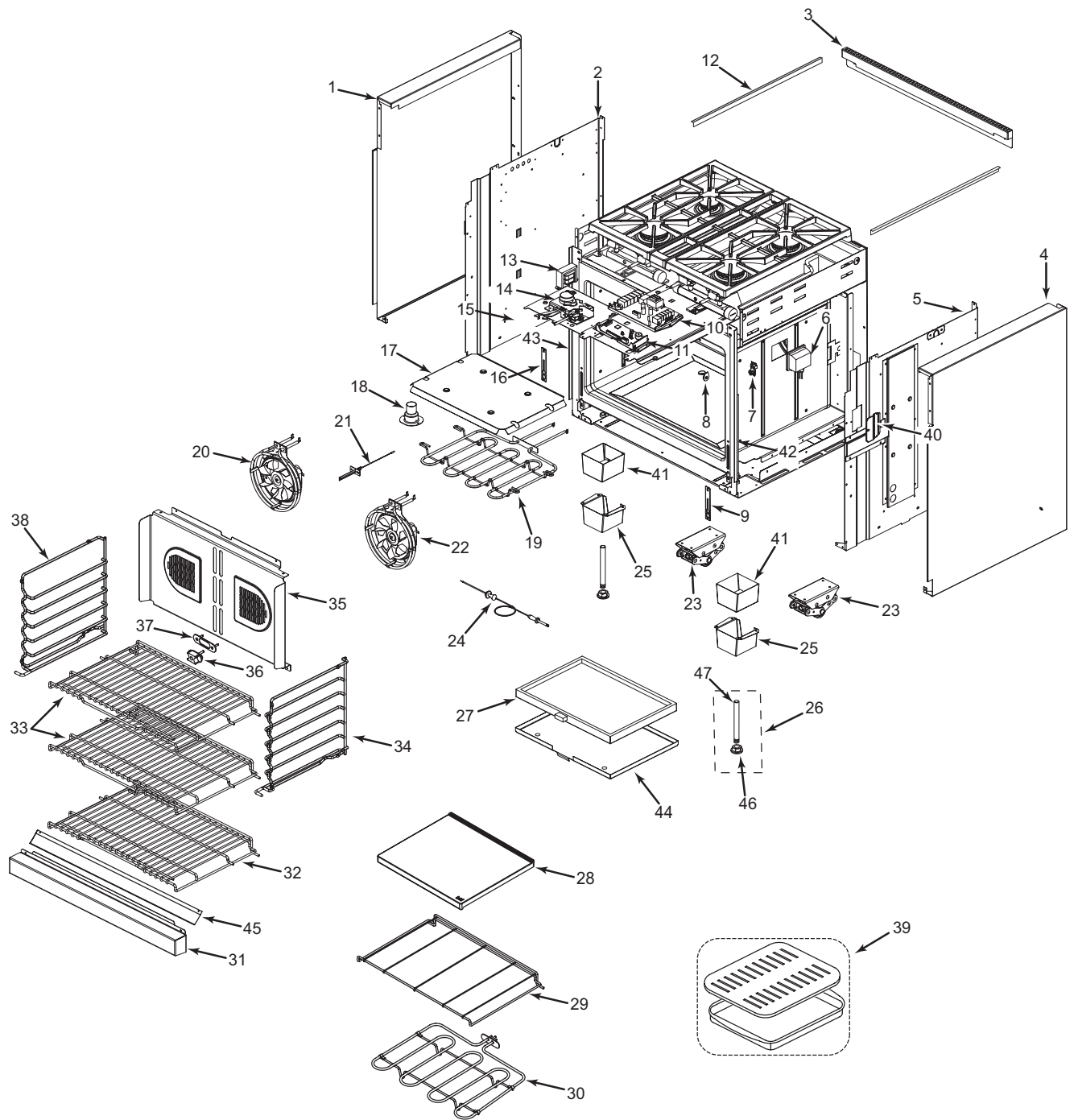
30" Dual Fuel Range Cavity and Side Parts List

<u>Ref #</u>	<u>Part #</u>	<u>Description</u>
1	802424	Outer Side Panel, Lf 30
2	802073	Inner Side, Left
3	802023	Island Trim, 30
4	802425	Outer Side Panel, Rt 30
5	802074	Inner Side, Right
6	800307	Oven Light
7	800942	Switch, Probe
8	800943	Cover, Probe Switch
9	805795	Retainer, Hinge, DF
10	806830	Power Relay Board, Df
11	806823	Control Board
12	802421	Pan Extrusion
13	800950	Transformer
14	802257	Door Latch, Motorized
15	802097	Plate, Control Board
16	805795	Retainer, Hinge, DF
17	801122	Pan, Broiler Element
18	800304	Catalyst, Smoke
19	801120	Element, Broil 30"
20	800699	Convection Assy, Ccw
21	800306	Sensor, Temperature
22	800701	Convection Assy, Cw
23	802157	Caster, Leveling Assy
24	800529	Meat Probe
25	802309	Front Leg Weldment, Lower
26	802396	Front Leg Bolt Assy
27	804152	Element, Bake 2200 Watt
28	803859	Stone, Pizza
29	800735	Rack, Pizza Stone
30	800717	Element, Pizza 3500 Watt 230v
31	802017	Skirt, 30"
32	804339	Rack, Oven Bent
33	804338	Rack, Oven Flat
34	805280	Guide, Rack Rt, DF
35	802898	Convection Baffle Assembly
36	803141	Receptacle, Plug Ceramic
37	801417	Plate Retainer
38	805279	Guide, Rack Lt, DF
39	804712	Broiler Pan, Accessory Package
40	802035	Cover Meat Probe Access
41	802321	Leveling Leg, Cosmetic Upper
42	804807	Oven Trim, R 30
43	802462	Oven Trim, Lt 30
44	804302	Bake Pan Assy, Lg
45	804172	Skirt Shield, 30
46	806064	Leg Bolt Pad, Front
47	806063	Leg Bolt, Front

Not Shown

804069	Wire Harness 30/36 Oc-Pod, Df	805242	Caster, Skirt Assy-Right 3.25
804071	Wire Harness, Pod To Knob Df	805243	Caster, Skirt Assy-Left 3.25
802328	Wire Harness, Meat Probe Df	805244	Caster, Skirt Assy-Right 3.75
804685	Spacer, 0.5" Hinge Pocket	805245	Caster, Skirt Assy-Left 3.75
801554	Hard Fiber Flat Washer, Black	805246	Caster, Skirt Assy-Right 4.25
802420	Hinge, Adjustable	805247	Caster, Skirt Assy-Left 4.25
801949	Pizza Peel	805248	Caster, Skirt Assy-Right 4.75
803816	Lamp Bulb	805249	Caster, Skirt Assy-Left 4.75
805732	Shoulder Screw (Bull Nose)	803379	8-18x1/2" Screw, Retainer Clip
		807438	Shield, Control Board - DF

30" Dual Fuel Range Cavity and Side Exploded View



30" Dual Fuel Range Door Parts List

NOTE: 802273 Logo (Ref#3) will need to be ordered when ordering door parts requiring disassembly of 30" door.

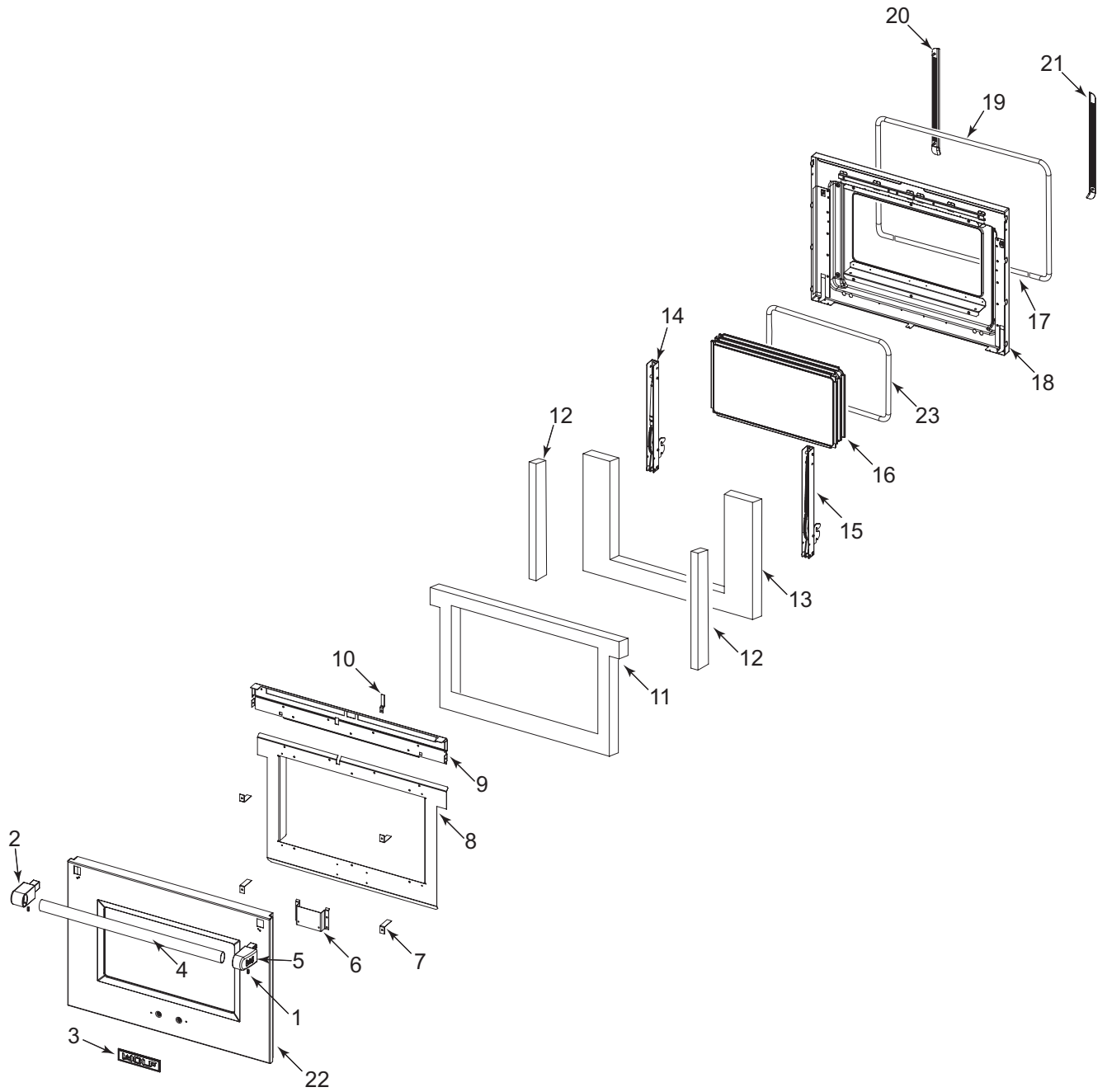
<u>Ref #</u>	<u>Part #</u>	<u>Description</u>
1	804396	8-32x .375 Set Screw
2	802062	Handle End Cap, Left
3	802273	Dual Fuel Logo
4	802063	Handle Bar, 30df
5	802061	Handle End Cap, Right
6	802429	Reinforcement Bracket, Door
7	804361	Bracket, Glass Pack Retainer
8	802044	Door Baffle, 30df
9	802244	Bracket, Door Liner, 30df
10	802330	Striker Plate, Door
11	804077	Insulation, Outer Door, 30df
12	804089	Insulation, side Hinge, 30df
13	804087	Insulation, Inner Door, 30df
14	802150	Hinge, Hydraulic
15	802149	Hinge, Spring
16	802395	Large Glass Packet Assy.
17	804618	Gasket Short, Door 30df
18	807061	Weldment, Door Liner 30"/48"
19	802445	Gasket, Door 30
20	800523	Left Door Rack Guide Assy 30"
21	800522	Right Door Rack Guide Assy 30"
22	802274	Door Skin, 30DF
23	804098	Seal , Rope - 1/4" Grey

NOTE: 30" Door Assy - Special Order Only. Call Factory Parts or Customer Service

Not Shown

803273 Pin, Pilot

30" Dual Fuel Range Door Exploded View



30" Dual Fuel Range Bull Nose and Manifold Parts List

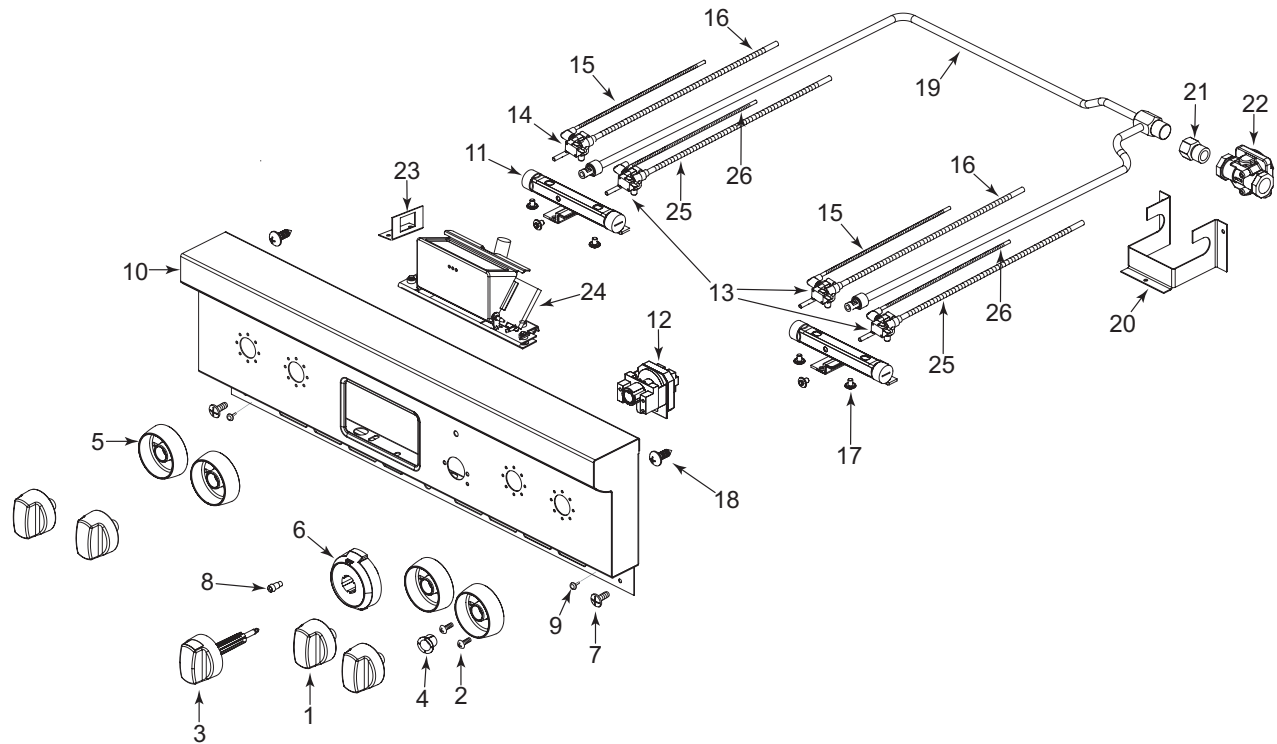
<u>Ref #</u>	<u>Part #</u>	<u>Description</u>
1	802107	Burner Knob, Red
	804141	Burner Knob, Black
2	801542	8-18x3/8" Screw Type B H/W/Hd
3	802238	Oven Selector Knob, Red
	802239	Oven Selector Knob, Black
4	804137	Knob Insert, Nyliner
5	804639	Burner Knob, Bezel, Platinum
	802082	Burner Knob, Bezel, Chrome
	804637	Burner Knob, Bezel, Brass
6	804642	Function Selector Bezel, Platinum
	802081	Function Selector Bezel 30/36, Crm
	804640	Function Selector Bezel 30/36, Brass
7	730239	Screw, #8X3/8" Mod. Truss Hd
8	804067	Indicator Light, 2v LED
9	805293	Bumper, Door, Df
10	802014	Bull Nose Weldment, Df304
11	804325	Gas Manifold, 2 Valve 30
12	802240	Selector Switch, Df
13	802018	Burner Valve, Df - Ng
	802400	Burner Valve, Df - LP
	807141	Valve Switch
14	804349	Valve, 9.2k Burner, Df Ng
	804356	Valve, 9.2k Burner, Df LP
	807141	Valve Switch
15	803177	Flex Tubing Service Kit, 3/16"x23"
16	803176	Flex Tubing Service Kit, 1/4"x24"
17	802439	Manifold Screw
18	805732	10-16x1/2x .070 Shoulder Screw
19	802088	Gas Line, DF304
20	802475	Regulator Box, Bottom
21	804149	Adapter, .50 X .50 pipe
22	801097	Regulator, Gas Valve, Convertible
23	804310	Bracket Manifold Support
24	806827	ECH Assembly, Single
25	803178	Flex Tubing Service Kit, 1/4"x12"
26	803180	Flex Tubing Service Kit, 3/16"x12"

Not Shown

804071 Wire Harness, Pod To Knob Df

WOLF® Dual Fuel Ranges Parts List with Exploded Views

30" Dual Fuel Range Manifold Exploded View



30" Dual Fuel Range Rear and Riser Parts List

<u>Ref #</u>	<u>Part #</u>	<u>Description</u>
1	802023	Island Trim, 30
2	804607	Riser Front Panel 30 x 5
3	804165	Riser Support Beam Lt/Rt 5
4	802484	Riser Support Beam Center
5	804608	Riser Back Panel 30 X 5
6	804610	Riser Front Panel 30 X 10
7	804161	Riser Support Beam Lt/Rt 10
8	804313	Riser Support Beam 10 Cntr
9	804611	Riser Back Panel 30 X 10
10	804616	Riser, Shelf 30"
11	802483	Riser, Support Beam, 20" Lt/Rt
12	804061	Riser Support Beam, 20 Cntr
13	804615	Riser, Back Panel 30 X 20
14	804150	Street Elbow, .50 Black Pipe
15	804188	Pipe, .50 X 8 Lg Black
16	719033	Union, .5 Black Pipe
17	804187	Pipe, .50 X 15 Black
18	802377	Fan Mounting Bracket
19	803140	Receptacle, Pizza (Bake Stone) Element
20	801457	Elbow - 1/2" Npt X 1/2" Npt
21	804189	Nipple, .50 X 2.5 Lg Black Pipe
22	802435	Hat Bracket, Terminal Block
23	802391	Large Oven Vent, Back
24	802002	Back panel, Insulation 30
25	802375	Air Dam, Cooling
26	802376	Back Panel
27	804180	Panel, Terminal Block Access
28	804833	Cover, Pizza (Bake Stone) Receptacle
29	802013	Convection Fan Shroud
30	804101	Limiter, Thermo
31	802401	Channel, Exhaust
32	801143	Cooling Fan, Lower
33	804614	Riser, Front Panel 30 x 20

Not Shown

802325	Wire Harness, Main w/Terminal Block
766593	Angle, Wall Brace

WOLF® Dual Fuel Ranges Parts List with Exploded Views

30" Dual Fuel Range Rear and Riser Exploded View

